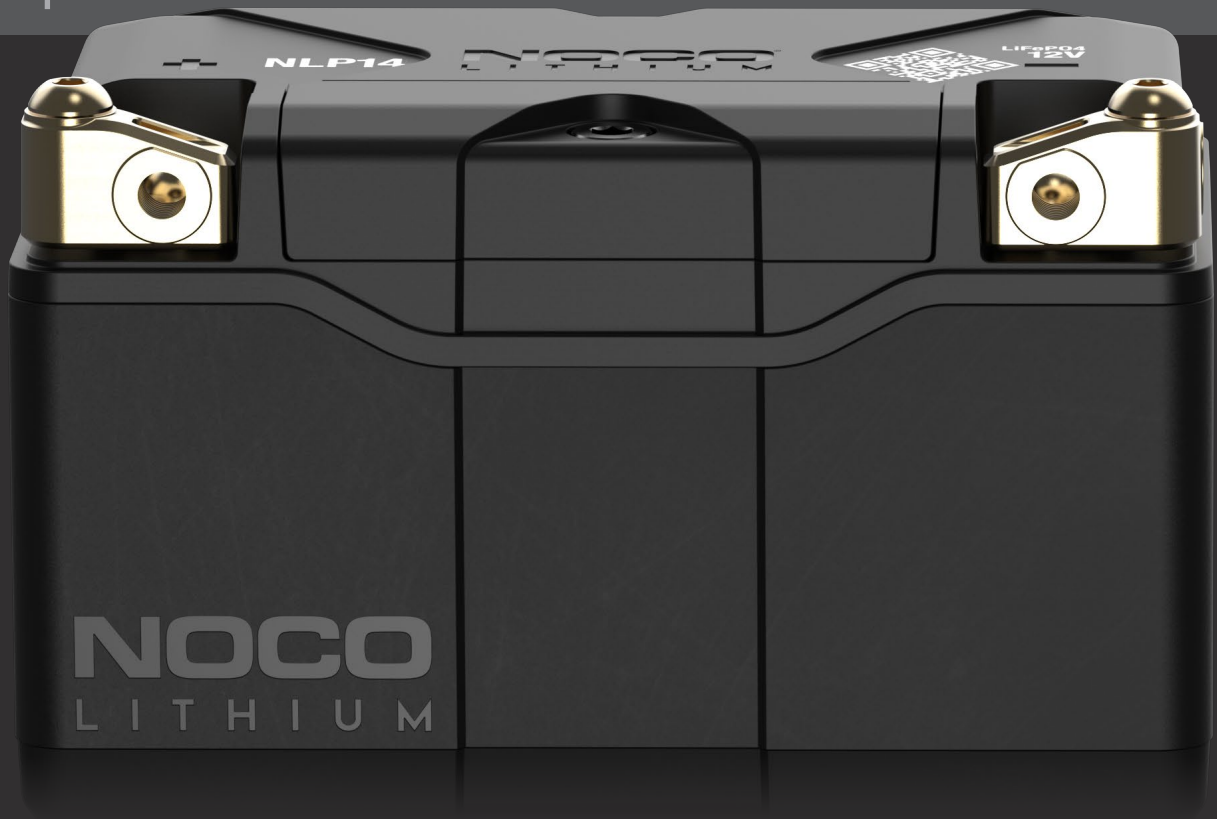


12V

4Ah

NLP14



INSANE PERFORMANCE. LITHIUM POWERSPORT BATTERY.™

2X

MORE POWER.

10X

MORE STARTS.

5X

LONGER LIFE.

DYNAMIC BMS.

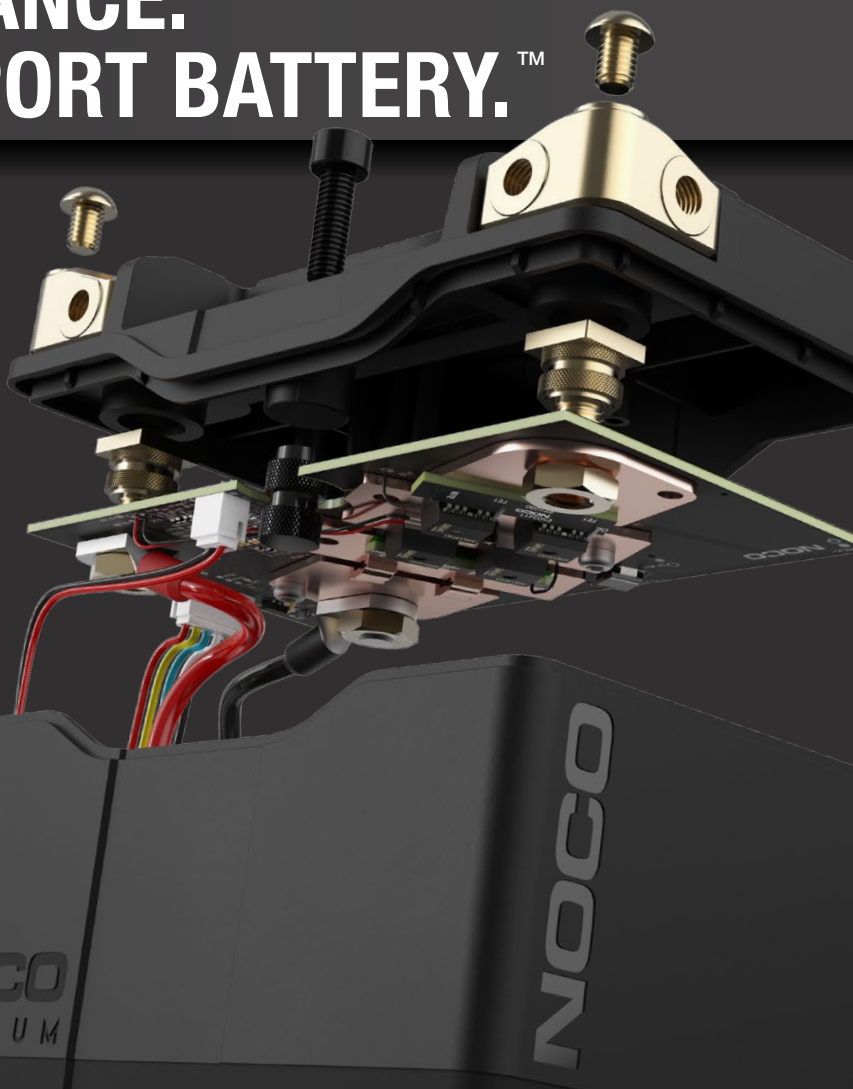
Equipped with an auto-enabled, advanced battery management system that provides maximum protection, performance, and bi-directional cell equalization for long-lasting stability. No BMS reset needed.

ACTIVE PROTECTION.

Protects against over-charge, extreme-heat, short-circuit, over-discharge, extreme-cold, and over-current.

SHOCK ABSORPTION.

Designed with a custom rubber dampening base and foam inserts to extend the life of the battery and keep connections secure.



NOCO

30339 Diamond Parkway, #102
Glenwillow, OH 44139 | USA
1.800.456.6626

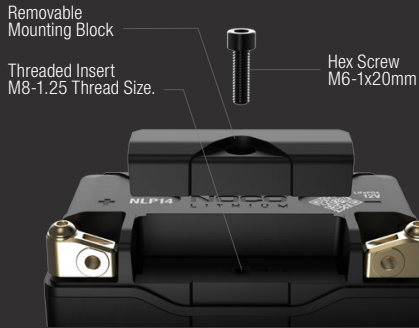
no.co

NOCO
LITHIUM

NOCO

UNIVERSAL MOUNTING.

Modular spacers can be added to alter the size and allow the battery to be safely and securely mounted. A removable mounting block allows the battery to fit more applications. The threaded insert enables direct-mounting for additional simplicity and security.



FEMALE.



SIDE.



TOP.



FRONT.



MULTI-CONNECTION TERMINALS.

Equipped with premium IP66 waterproof copper PCB plates. NLP Terminals can be mounted from the front, side, or top, and can be removed altogether depending on the application.

RAPID RECHARGE.

Use the Lithium mode on a Genius charger to fully recharge an NLP battery in minutes. See Genius models and charging times below.

COMPATABLE SIZES.

BCI SIZES

BT12A-BS
BTZ10S
BTZ12S
BTZ14S
BT14B-4
BTX12-BS
BTX14-BS
BTX16-BS
BTX16-BS-1
BTX14
BTX16-BS
B16A-AB

YUASA SIZES

YTX14H
GYZ16H
YTZ10S
YTZ12S
YTZ14S
YTX14H-BS
YTX20H-BS
YTX12
YTX14
YT12A-BS
YTX12-BS
KMX14-BS
YTX14-BS
YTX16-BS
YTX16-BS-1
HYB16A-AB

ETX SIZES

ETX12
ETX14
ETX16L



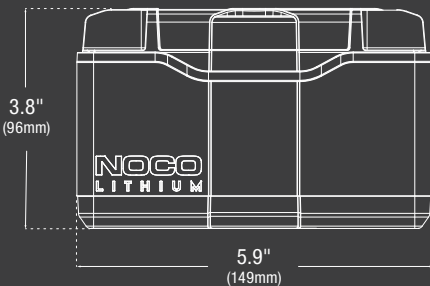
RECHARGE TIME

GENIUS1	240 Minutes
GENIUS2	120 Minutes
GENIUS5	48 Minutes
GENIUS10	24 Minutes

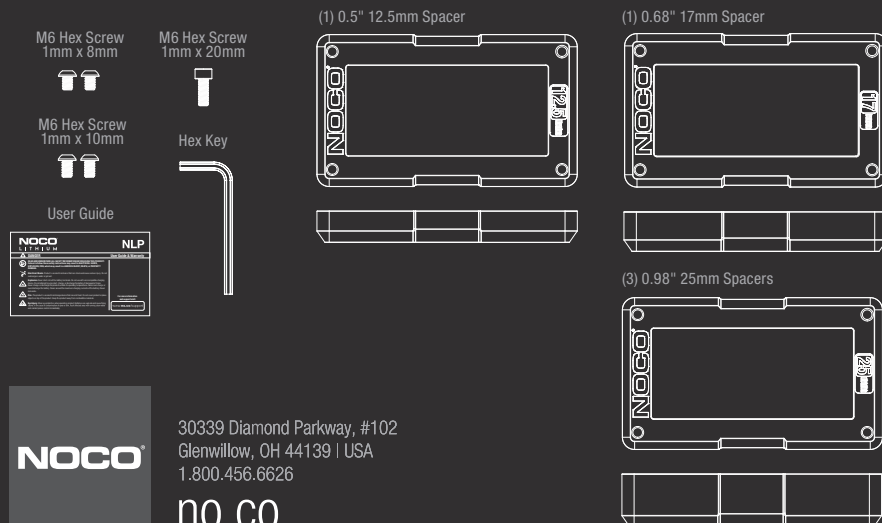
TECHNICAL SPECIFICATIONS

BCI SIZE:	14
CHEMISTRY:	Lithium Iron Phosphate (LiFePO4)
NOMINAL VOLTAGE:	12.8
AMP-HOURS:	4
WATT-HOURS (WH):	51.2
STARTING CURRENT:	500
CHARGING VOLTAGE (V):	14.6V
CHARGING CURRENT (A):	12A (Max)
OPERATING TEMPERATURE:	-20°C to 60°C
CHARGING TEMPERATURE:	-10°C to 50°C
STORAGE TEMPERATURE:	-20°C to 60°C
WEIGHT:	2.58 lbs (1.17kg)
VOLUMETRICS:	<p>Retail Packaging: Dimensions: 6.06" x 4.41" x 8.11" Weight: 4.05 lbs. UPC: 0-46221-19009-0</p> <p>Master Carton: Dimensions: 13.0" x 8.82" x 10.32" Weight: 17.70 lbs Quantity: 4 UCG: 10046221190097</p> <p>Inner Carton: Dimensions: 8.35" x 6.22" x 4.76" Weight: 4.24 lbs</p> <p>Units Per Pallet: 180 Units</p>

WHAT'S IN THE BOX



*Accessories not to scale with NLP14



NOCO

30339 Diamond Parkway, #102
Glenwillow, OH 44139 | USA
1.800.456.6626

no.co

