

# LITHIUM

LiFePO4

LITHIUM (LiFePO4) | High Performance

REF **BSLi-06**



**12v** VOLTAGE

**48Wh** ENERGY

**280A** CCA

### TECHNOLOGY

- Lithium Iron Phosphate cells construction
- Pre-charged batteries
- Homologated by OEM

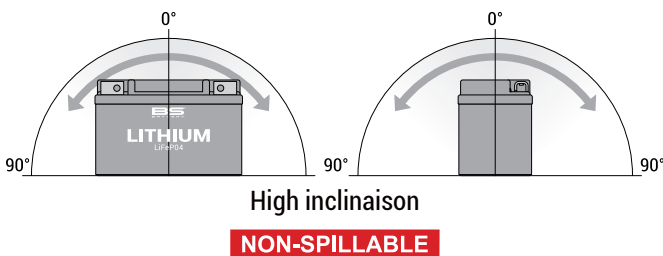
### FEATURES

- Fast charging
- Multi-positioning mounting
- Very safe and environmental friendly
- Extensive cycle life: over 2000 cycles
- Very low self-discharge
- Cold temperature performance
- Waterproof design
- Ready to use: just plug and play
- Robust brass terminals
- Heat resistance: up to 230 C°
- Lighter weight

### REPLACEMENTS

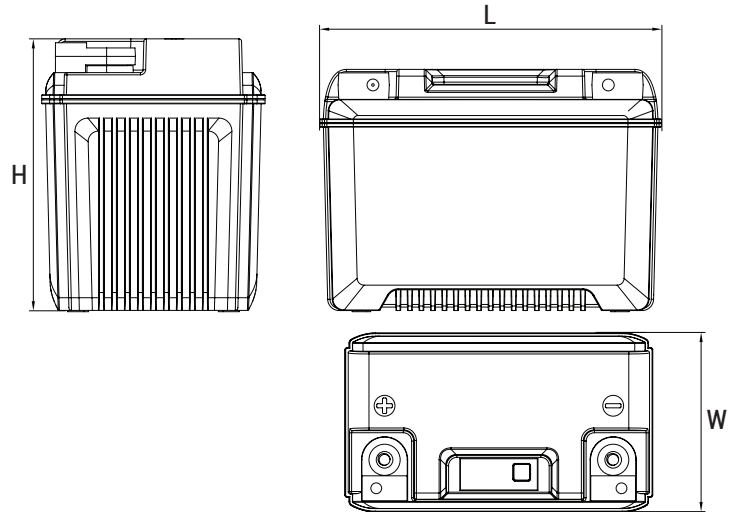
BTZ12S	BT12A	BT12S-BS	BT12A-BS
BTZ14S	BTX14	BTZ14S-BS	BTX14-BS
BTX12	BTX14H	BTX12-BS	BTX14H-BS

### MOUNTING ANGLE



### DIMENSIONS & WEIGHT

Length (L): 148±1mm  
 Width (W): 86±1mm  
 Height (H): 105±2mm  
 Weight: 1.06kg (tolerance ±3%)



### TERMINALS

