

LITHIUM

LiFePO4

LITHIUM (LiFePO4) | High Performance

REF **BSLi-02**



12v

VOLTAGE

24Wh

ENERGY

140A

CCA

TECHNOLOGY

- Lithium Iron Phosphate cells construction
- Pre-charged batteries
- Homologated by OEM

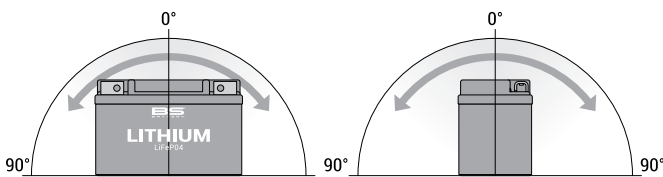
FEATURES

- Fast charging
- Multi-positioning mounting
- Very safe and environmental friendly
- Extensive cycle life: over 2000 cycles
- Very low self-discharge
- Cold temperature performance
- Waterproof design
- Ready to use: just plug and play
- Robust brass terminals
- Heat resistance: up to 230 C°
- Lighter weight

REPLACEMENTS

BTZ5S	BTZ7S-BS	BB4L-B	12N5-3B
BTZ7S	BTX4L-BS	BB5L-B	12N5.5-3B
BTX4L	BTX5L-BS	BB6.5L-B	12N7-3B
BTX5L	BTX7L-BS		

MOUNTING ANGLE

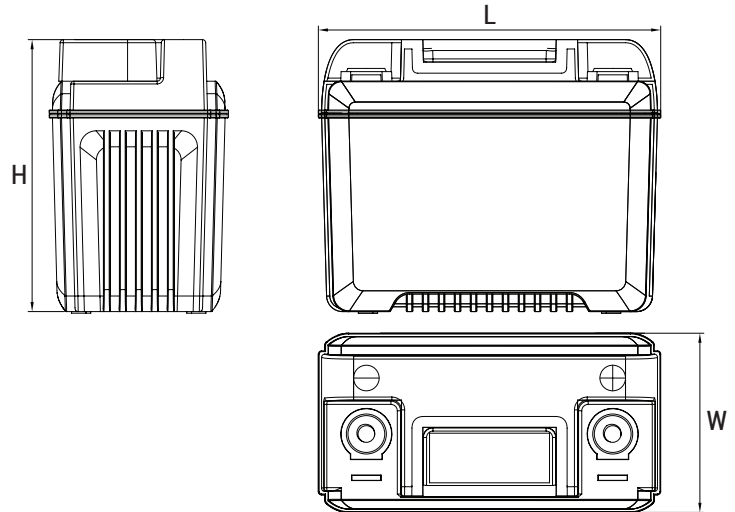


High inclinasion

NON-SPILLABLE

DIMENSIONS & WEIGHT

Length (L) : 107±1mm
 Width (W) : 56±1mm
 Height (H): 85±2mm
 Weight: 0.55kg (tolerance ±3%)



TERMINALS

